

Tech Line & Information: (561) 863-2188

Orders Only: (800) 327-9402

Fax: (561) 863-1424

Manufacturers and Distributors of quality chassis, suspension, driveline and components

C/E4125 – Door Handle Kit

PARTS LIST:

14...10-32 Nylock Nut

4...10-32 x 1 Stainless Button Head

2...Aluminum Tubes - Threaded

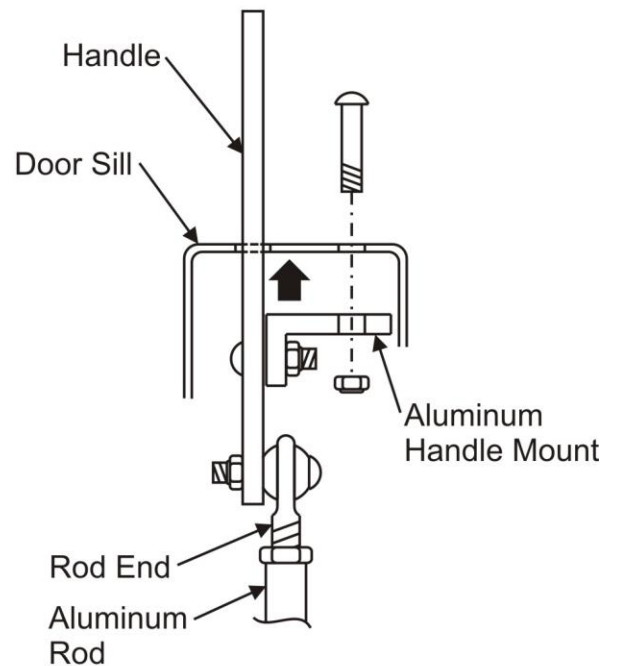
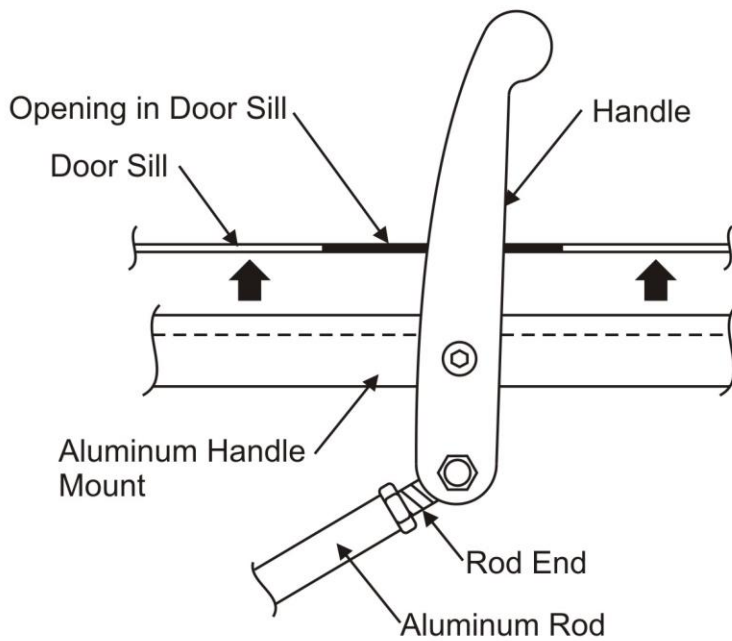
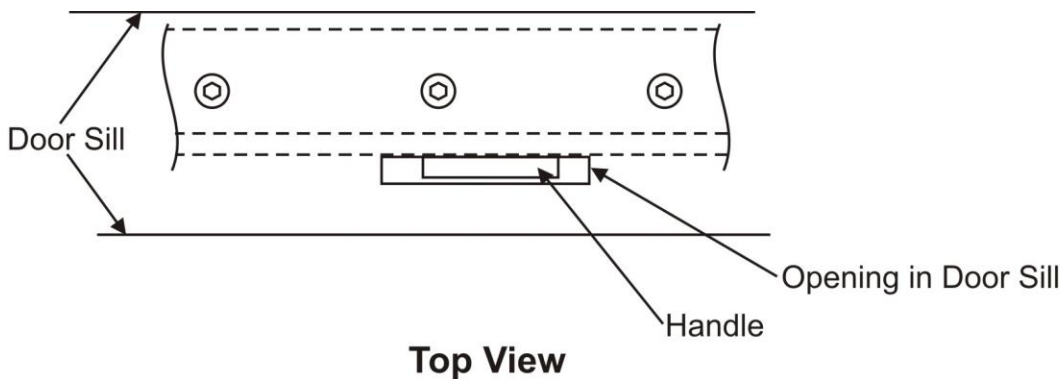
2...Aluminum Handle Mount

10...10-32 x 3/4 Stainless Button Head

2...3/16" Aluminum Handle

4...3/16" Misalignment Bushings

2...1/4" Thread x 1/4" Hole Rod End



Note: Misalignment bushings are provided to make the handle and rod line up with the latch, if needed.