

Tech Line & Information: (561) 863-2188  
Orders Only: (800) 327-9402  
Fax: (561) 863-1424

Manufacturers and Distributors of quality chassis, suspension, driveline and components

## C/E1019 – Upper Window Latch Kit

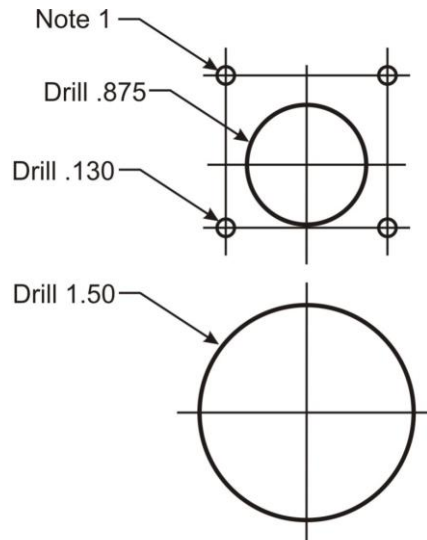
Part # 1019 (For use on cars with no outer window frame)

Start your installation by opening all packages and check the parts you have received against the parts list.

### Parts list:

2...Latch Assemblies  
2...1/4" Moly Loops

8...6/32 Stainless Countersunk Screws  
8...6/32 Stainless Nylock Nuts



Note 1 - Nylock nut will have to be modified to clear the latch, in this location

