

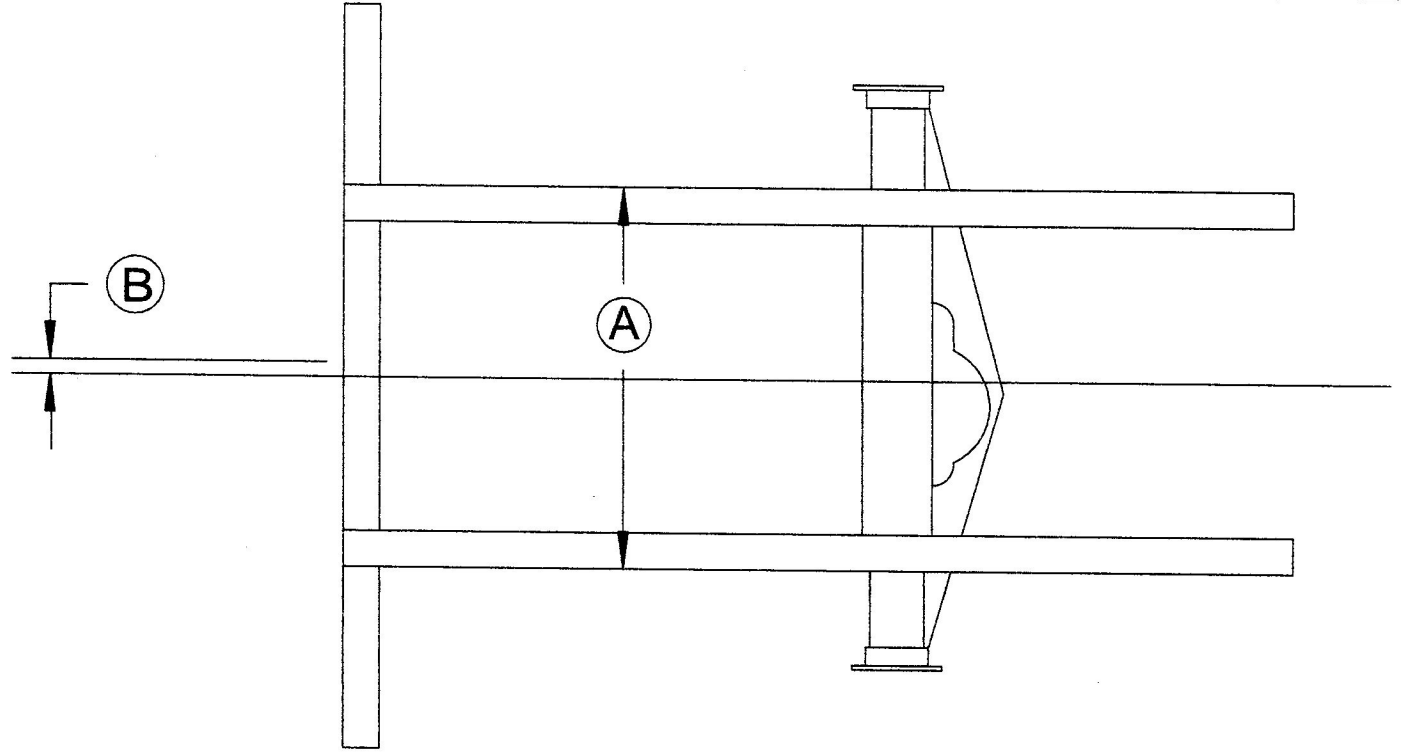
Outside Width Of Frame Rails----- A _____

Pinion Offset For Drop Crossmember----- B _____

SHOCKS--- Strange--Singles ___ Doubles ___ Spring Rate _____ lbs

FOUR LINK--- # 3515 ___ # 3514 ___ Ladder Bar ___ Anti-Roll Bar ___ Top Gun Anti-Roll Bar ___

Diagonal Link ___ Wishbone ___ Panhard Bar ___ Top Gun Diagonal ___ Heavy Duty Diagonal ___



Pinion Offset _____ Pinion Offset is the difference between F and G Divided by two

Axle To Axle D _____ Driver Side Housing Flange To Pinion Center F _____

Housing Width E _____ Passenger Side Housing Flange To Pinion Center G _____

Axle to Axle measurement doesn't include the thickness of the brake hats

