



Tech Line & Information: (561) 863-2188

Orders Only: (800) 327-9402

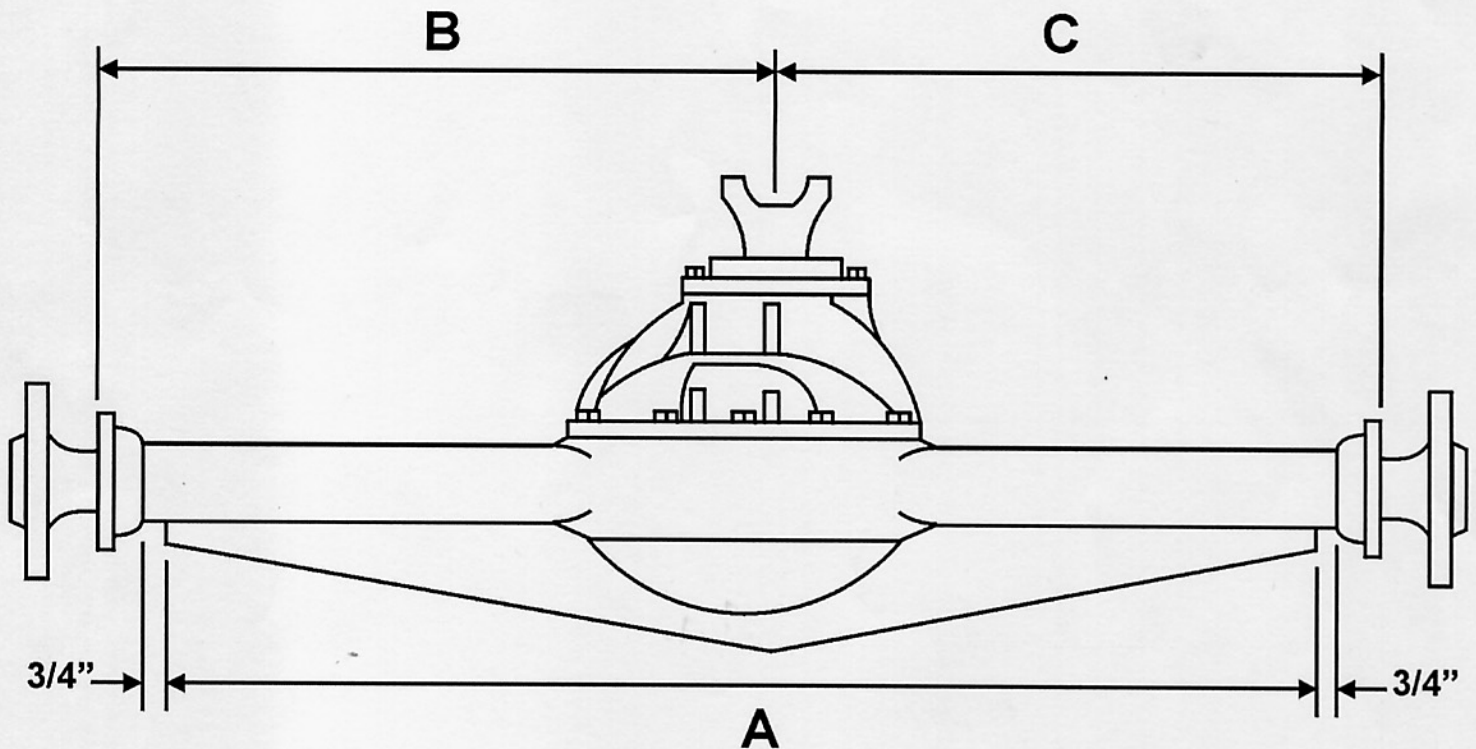
Fax: (561) 863-1424

Manufacturers and Distributors of quality chassis, suspension, driveline and components

# 9" FORD BACK BRACE SPEC SHEET

Customer Name: \_\_\_\_\_

Day Time Phone: \_\_\_\_\_



- Small Ford Housing
- Big Ford Housing

A: \_\_\_\_\_

B: \_\_\_\_\_

C: \_\_\_\_\_

Pinion Offset D: \_\_\_\_\_

A: The actual width that you want the brace to be. Typically it will be 3/4" in from the Housing end

B & C: The distance from the center of the pinion to a line projected forward from the face of the housing end as shown.

D: Pinion Offset is the difference between B and C divided by 2